

HSD-361PW-NET

www.asia.security.honeywell.com

36x WEATHER PROOF WDR IP OUTDOOR SPEED DOME

Honeywell HSD-361PW-NET Weatherproof IP Speed Dome Camera is designed for full time surveillance in extreme environments. The camera is True Day/Night housed by IP66 rated dome enclosure to prevent the camera from damage by ingress of dust and heavy rain. Whether it is installed indoor in stable environment or outdoor with unexpected weather change, it always delivers reliable performance and vivid video image to protect asset and people security.

HSD-361PW-NET provides consistent high coverage to capture video image of interest. Its 360° continuous rotation function and 36x zoom lens give you the flexibility to view target area with desired width and depth.

HSD-361PW-NET is equipped with WDR, which is ideal for environments with high contrast and changing light conditions. Using Next Generation Image Capture Technology, images are converted from analog to a digital format within each pixel immediately after the image is captured. Despite high-contrast lighting conditions, HSD-361PW-NET delivers high quality images, significantly better dynamic range and high frame rates.

HSD-361PW-NET adopts state of art H.264 compression technology, which offers 25 fps 4CIF high quality video stream and disk saving recording. The camera can support up to 8 users at the same time, which enables multiple users to get access to important video images simultaneously.

Market Opportunities

The combination of the latest digital technology and advanced video processing makes HSD-361PW-NET an ideal network camera for large-scale surveillance in cities, roads, airports, government facilities etc. It is also suitable for areas where accurate and intense surveillance is essential that requires excellent quality delivery and cost-effective solution.

FEATURES

- 36x optical zoom and 12x digital zoom up to 432x zoom
- 4CIF, 25 fps supporting 8 users simultaneous access
- Images with wide dynamic range can be obtained
- Weatherproof with IP66 rated enclosure, heater and fan built in
- High speed of pan up to 300°/sec and tilt up to 120°/sec
- High performance memory with 128 presets and 3 self-learning auto tracks
- High speed preset at 360 °/sec with high accuracy with +/-0.1°
- Built-in web browser for easy configuration
- Support HUS and operation through HJC-5000 keyboard



HSD-361PW-NET

www.asia.security.honeywell.com

36x WEATHER PROOF WDR IP OUTDOOR SPEED DOME

SPECIFICATIONS

| | |
|-----------------------|---|
| Model | HSD-361PW-NET |
| PTZ Part | |
| Image Sensor | 1/4" Ex-view HAD CCD, Sony |
| Minimum Illumination | 1.4lx (1/50 sec); 0.1lx (1/3 sec); 0.01lx:ICR-ON |
| True Day / Night | ICR |
| Electronic Shutter | 1/3~1/10,000 Sec |
| Signal-to-Noise Ratio | > 50dB(AGC Close) |
| BLC | BLC ON/OFF |
| Aperture Range | F1.6(wide)~F4.5(tele) |
| Focal Length | f=3.4mm~122.4mm |
| Angular Field of View | 57.8°(wide)-1.7°(tele) |
| Vector Scan Group | 6 |
| Pan Angle | 360° Rotation Capability |
| Tilt Angle | 0° ~90° |
| Pan Speed | 0. 1°~300°/Sec |
| Tilt Speed | 0. 1°~120°/Sec |
| Preset Speed | 360°/Sec |
| Accuracy | 0.1° |
| Preset Position | 128 Maximum |
| Auto Scan | ON/OFF |
| White Balance | Manual/Auto/Indoor/Outdoor/ATW |
| Wide Dynamic | ON/OFF |
| Zoom | 36x Optical Zoom, 12x Digital Zoom |
| PTZ Tour (Pattern) | 3 Programmable, 120 Seconds |
| Protocol | Pelco D/P |
| Power Input | 24VAC 2A 60Hz/50Hz, Surge Protector |
| IP Part | |
| Video Encoder | H.264, Motion JPEG simultaneously |
| Video Profile | 4CIF / CIF / QCIF |
| Encoder Capability | H.264 4CIF+CIF+QCIF @ 25fps |
| Frame Rate | Up to 25fps PAL for all profiles |
| Streaming | Constant and variable bit rate |
| Security | Password protection, IP address filtering |
| Access User | 8 simultaneous unicast users |
| Ethernet | 10/100M auto negotiation |
| Alarm Event | Go to PTZ preset position, and go to a tour; Notification via email, File upload via FTP or email |
| Video Buffer | Pre- and post- alarm buffering |
| Protocol | TCP, UDP, HTTP, NTP, DDNS, RTP, RTSP, IGMP |

HSD-361PW-NET

www.asia.security.honeywell.com

36x WEATHER PROOF WDR IP OUTDOOR SPEED DOME

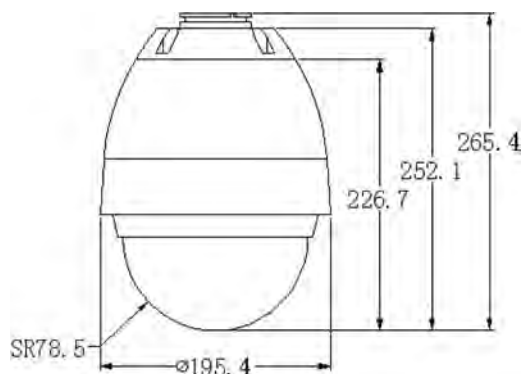
SPECIFICATIONS

| Interface | |
|------------------|------------------------|
| Analog Video Out | 1 BNC |
| Ethernet Port | 1 10/100Base-T |
| Alarm in/out | 1 DI / 1DO |
| Power Input | 24VAC 2A power adaptor |
| Others | |
| IP 66 | Yes |
| Heater | Yes |
| Fan | Yes |
| Certification | FCC, CE |

ORDERING

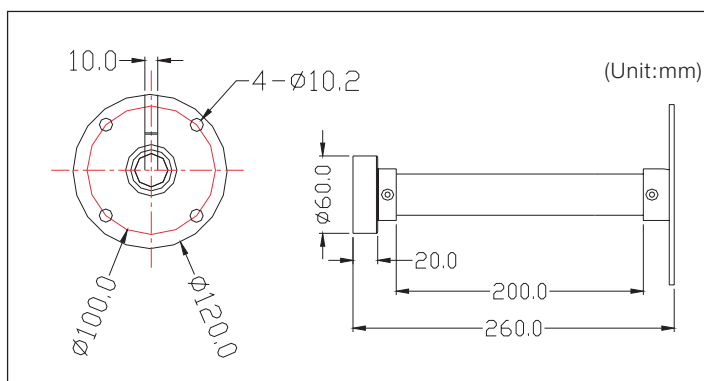
HSD-361PW-NET: 36x Outdoor True Day/Night, WDR, IP Speed Dome, AC 24V, PAL

DIMENSIONS



ACCESSORIES MOUNTS

| | |
|--------------|-----------------------|
| HSDCM1 | Outdoor Ceiling Mount |
| Construction | Zincification Pipe |
| Finish | Spray Powder |
| Dimension | See the Drawing |
| Environment | Indoor and Outdoor |
| Weight | 1.96lbs (0.88kg) |
| Max Load | 27.1lbs (12.2kg) |
| Wind Load | 121kph |



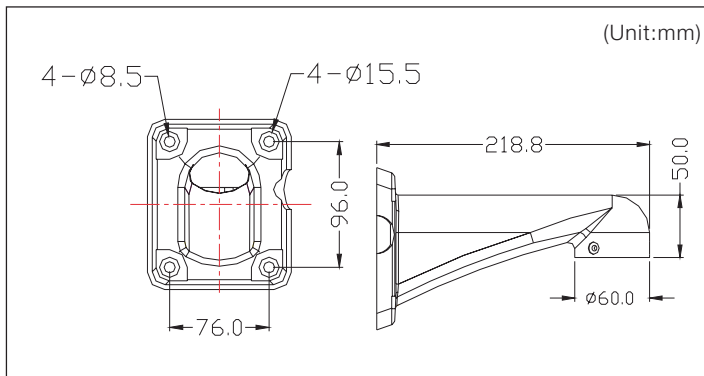
HSD-361PW-NET

www.asia.security.honeywell.com

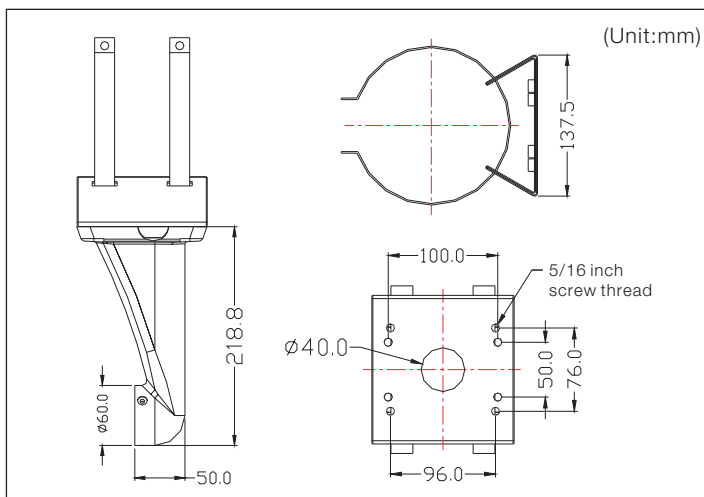
36x WEATHER PROOF WDR IP OUTDOOR SPEED DOME

ACCESSORIES MOUNTS

| | |
|--------------|--------------------|
| HSDWM1 | Outdoor Wall Mount |
| Construction | Aluminium |
| Finish | Spray Powder |
| Dimension | See the Drawing |
| Environment | Indoor and Outdoor |
| Weight | 1.44lbs (0.645kg) |
| Max Load | 24.7lbs (11.1kg) |
| Wind Load | 121kph |



| | |
|--------------|--------------------|
| HSDPMA1 | Pole Mount Adapter |
| Construction | Aluminium |
| Finish | Spray Powder |
| Dimension | See the Drawing |
| Environment | Indoor and Outdoor |
| Weight | 1.73lbs (0.78kg) |
| Max Load | 25.6lbs (11.5kg) |
| Wind Load | 121kph |



For more information:

Security Asia Pacific Headquarters
 Security Australia
 Security Australia National Sales Hotline
 Security China
 Security China Customer Service Hotline

Tel: (86) 21-2219 6888
 Tel: (61) 2-9353 7000
 Tel: 1300 765 532
 Tel: (86) 21-2219 6888
 Tel: 400-8800-330

Security Hong Kong
 Security India
 Security Korea
 Security Singapore
 Security Taiwan

Tel: (852) 2405 2323
 Tel: (91) 124 4029800
 Tel: (82) 2-799 6130
 Tel: (65) 6333 9563
 Tel: (886) 2-2245 1000

www.asia.security.honeywell.com
 security.ap@honeywell.com

Honeywell Security Group
 Automation & Control Solutions
 Honeywell International Inc.
 www.security.honeywell.com

Dec 2010
 © 2010 Honeywell International Inc.

Honeywell